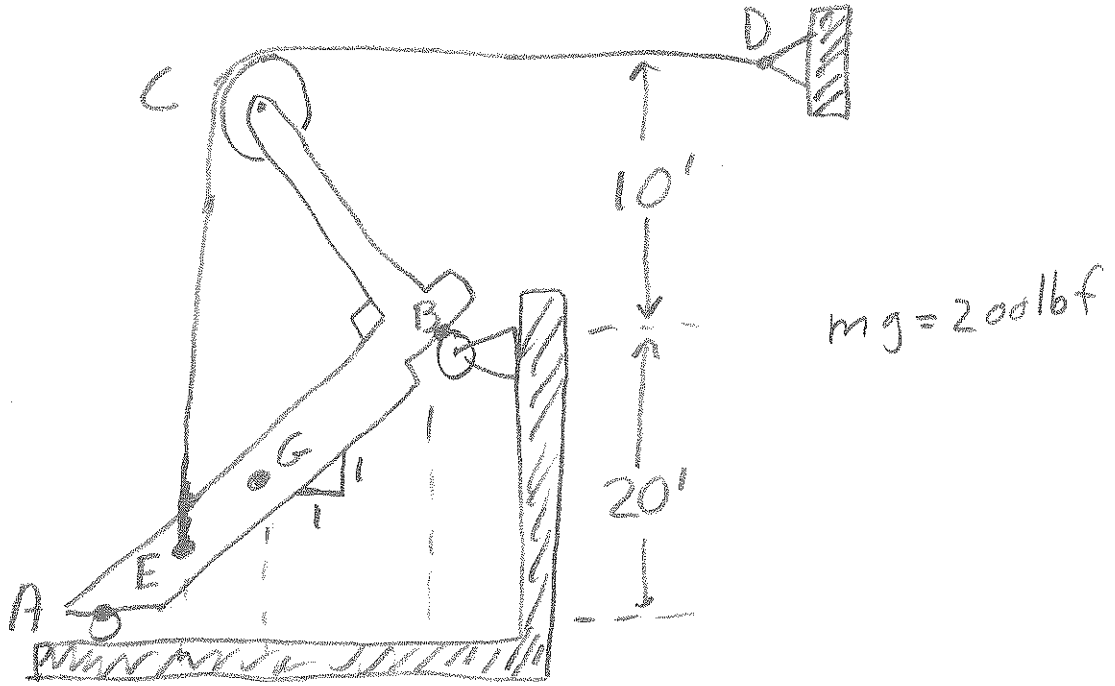


RP 6.3.14

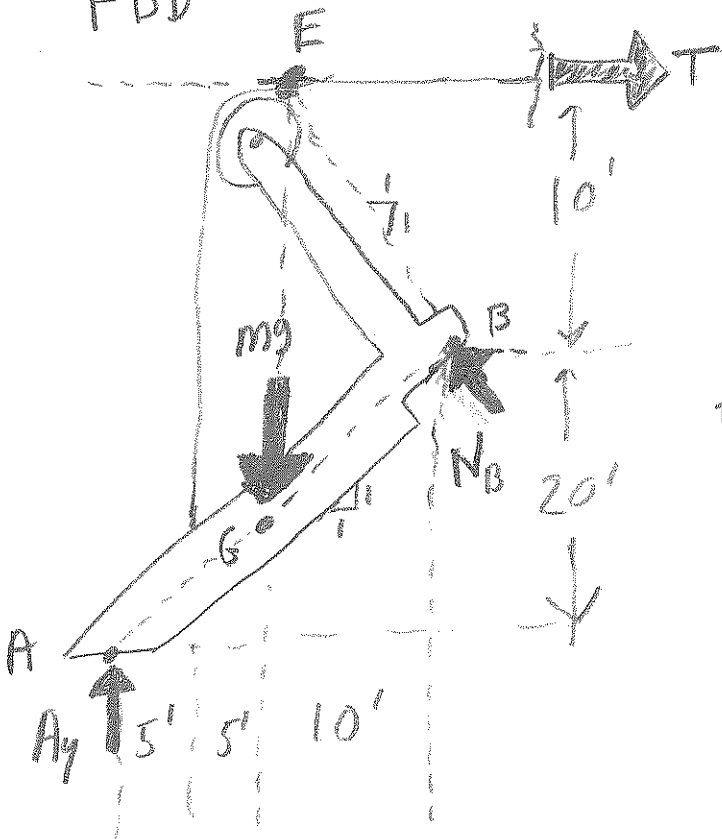


5' 5' 10'

$mg = 200 \text{ lbf}$

Lines of action of N_B , mg & T all go through E.

FBD



$$\sum M/E = 0 \Rightarrow \boxed{A_y = 0}!$$

$$\sum M/B = 0 \Rightarrow$$

$$mg \cdot 10' - T \cdot 10' = 0$$

$$\boxed{T = mg = 200 \text{ lbf}}$$